

# JIANGSU WUJIN KAILI ELECTRONIC FACTORY

## SPECIFICATION SHEET

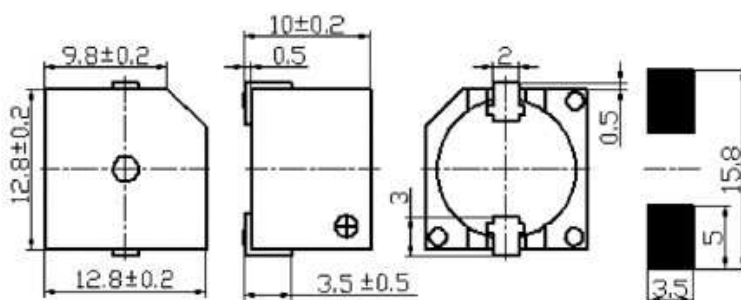
ELECTRONIC SPECIFICATION:



### *HCT1310X SERIES:*

Type	HCT1310X01	HCT1310X05	HCT1310X12
Rated Voltage (V)	1.5	5	12
Operating Voltage (V)	1.2~3	3~7	8~15
Rated Current (MA)	< 30	< 30	< 30
Sound Output at 10cm (dB)	> 80	> 85	> 85
Resonant Frequency (Hz)	2400 ± 400	2300 ±300	2300 ±300
Response Time (ms)	< 50	< 50	< 50
Operating Temperature (C)	-10~+50	-25~+70	-25~+70
Storage Temperature (C)	-15~+60	-30~+80	-30~+80
Weight (g)	2		
Dimension	12.8*12.8*H10		

Value applying rated voltage (DC)



### JIANGSU WUJIN KAILI ELECTRONIC FACTORY

Miaoqiao Town, Changzhou city, Jiangsu, China 213167

TEL: 0086-519-86462433; 86712320

FAX: 0086-519-86471336; 86712320

E-mail: [kailiec@jmail.com.cn](mailto:kailiec@jmail.com.cn)

[Http://www.piezo-buzzers.com](http://www.piezo-buzzers.com)