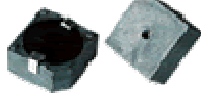


JIANGSU WUJIN KAILI ELECTRONIC FACTORY

SPECIFICATION SHEET

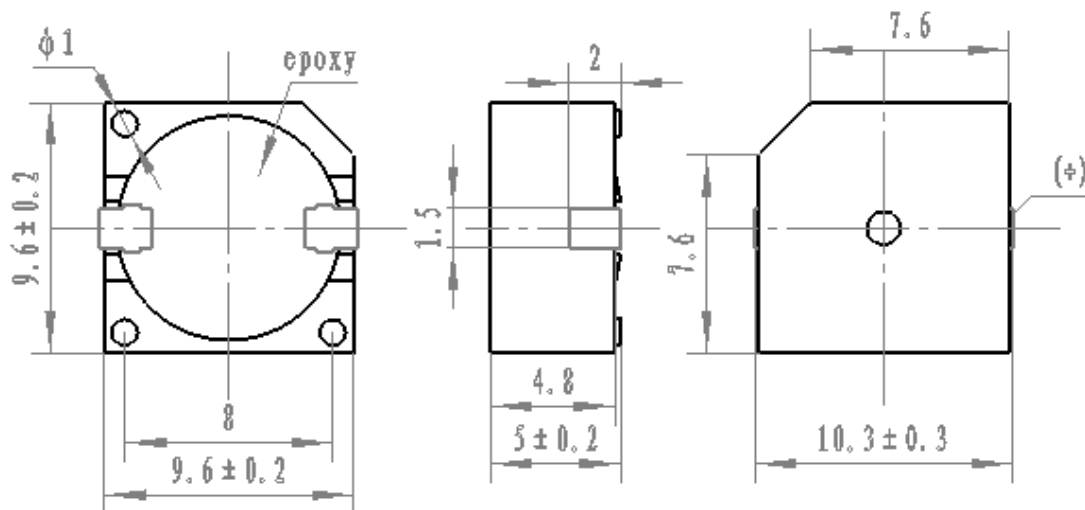
ELECTRONIC SPECIFICATION:



HCT9650X SERIES:

Type	UNIT	HCT9650X05
*Min. Sound Output at 10cm	dB	85
Rated Voltage	V DC	5
Operating Voltage	VDC	4~7
Resonant Frequency	Hz	2700±300
.Rated Consumption	mA	30
Operating Temperature	℃	-20 ~ +70
Storage Temperature	℃	-30 ~ +80
Dimension	9.6*9.6*H5.5	
Weight	g	2

*Value applying rated voltage (DC)



JIANGSU WUJIN KAILI ELECTRONIC FACTORY

Miaoqiao Town, Changzhou city, Jiangsu, China 213167

TEL: 0086-519-86462433; 86712320

FAX: 0086-519-86471336; 86712320

E-mail: kailiec@jmail.com.cn

[Http://www.piezo-buzzers.com](http://www.piezo-buzzers.com)